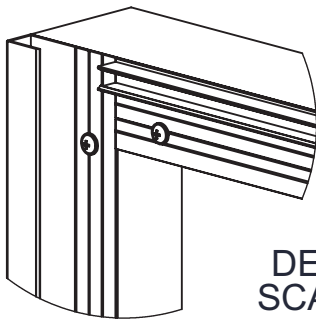
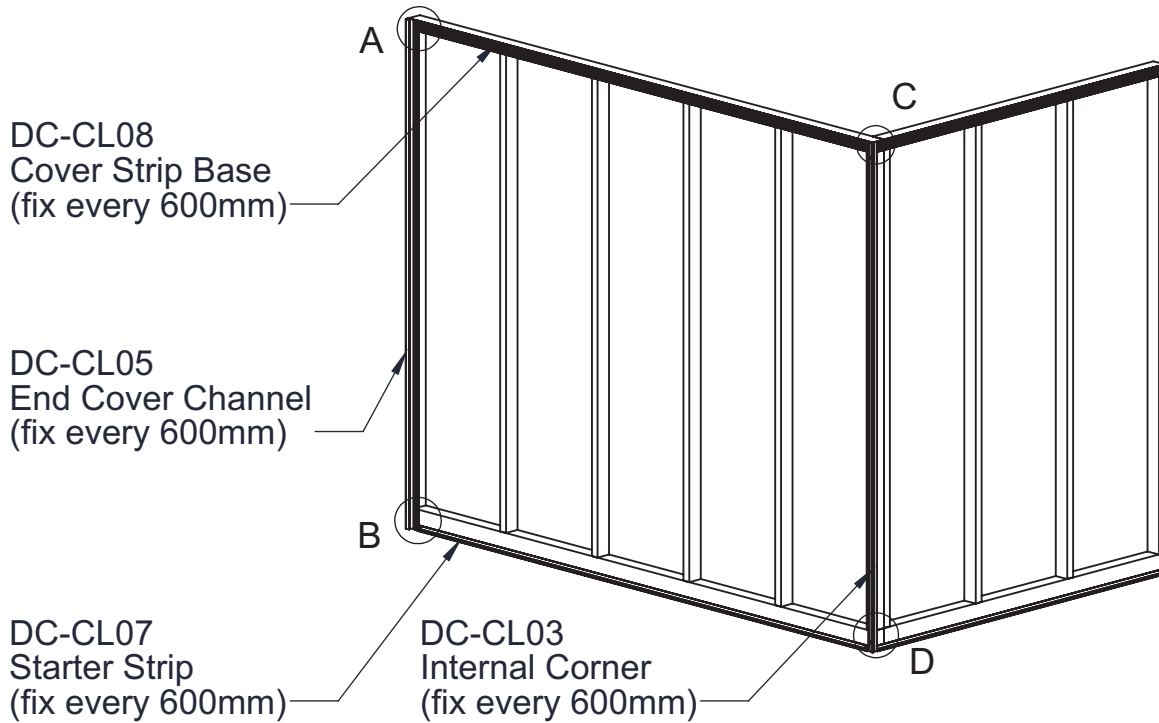


STEP 1: COVER FRAMING WITH SARKING / BUILDING WRAP (not shown)

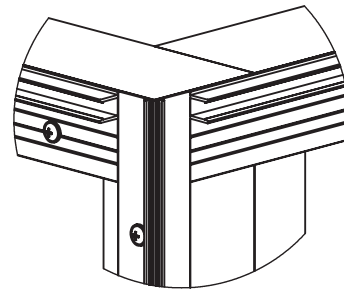
STEP 2: COVER STRIP SET-UP

A: INSTALL VERTICAL STRIPS FIRST

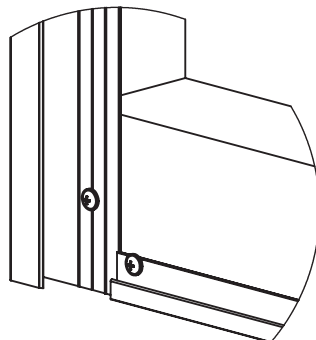
B: CUT HORIZONTALS TO FIT BETWEEN VERTICALS



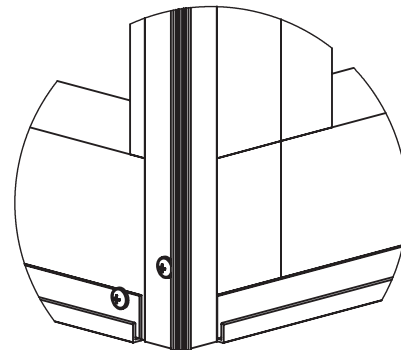
DETAIL A
SCALE 1 : 4



DETAIL C
SCALE 1 : 4



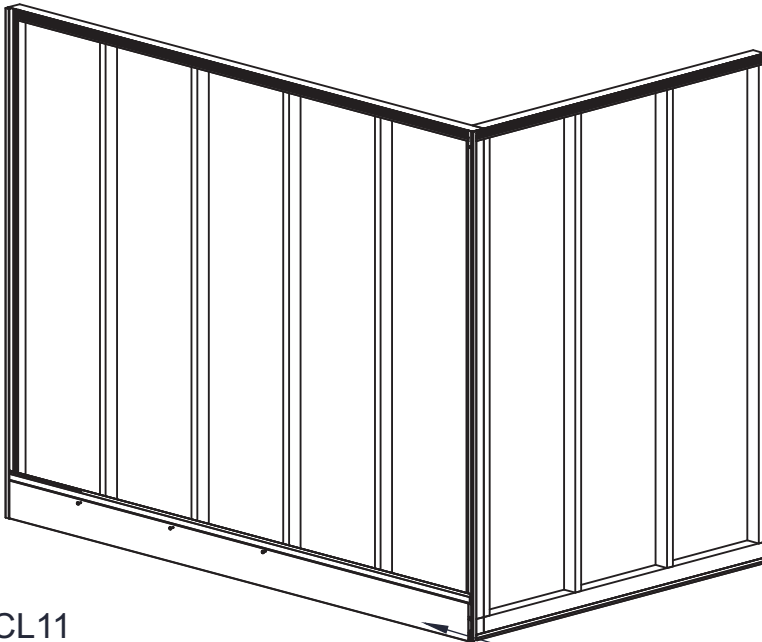
DETAIL B
SCALE 1 : 4



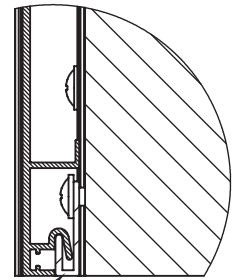
DETAIL D
SCALE 1 : 4

GENERAL NOTE: STUD FRAMING SHOWN IS ILLUSTRATIVE ONLY,
TIMBER OR STEEL FRAMES TO BE CONSTRUCTED TO BCA REQUIREMENTS

STEP 3: INSTALL FIRST BOARD WITH DRILL OR SCREW GUN
NOTE: USE 8G WAFER HEAD GALVANISED SCREW (DC-CL12)



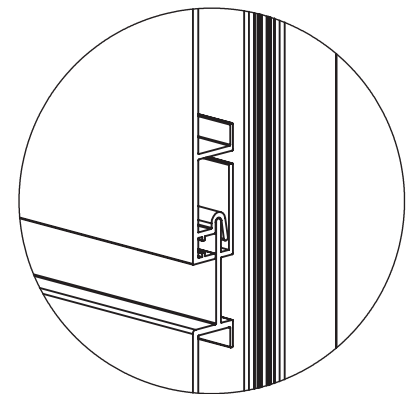
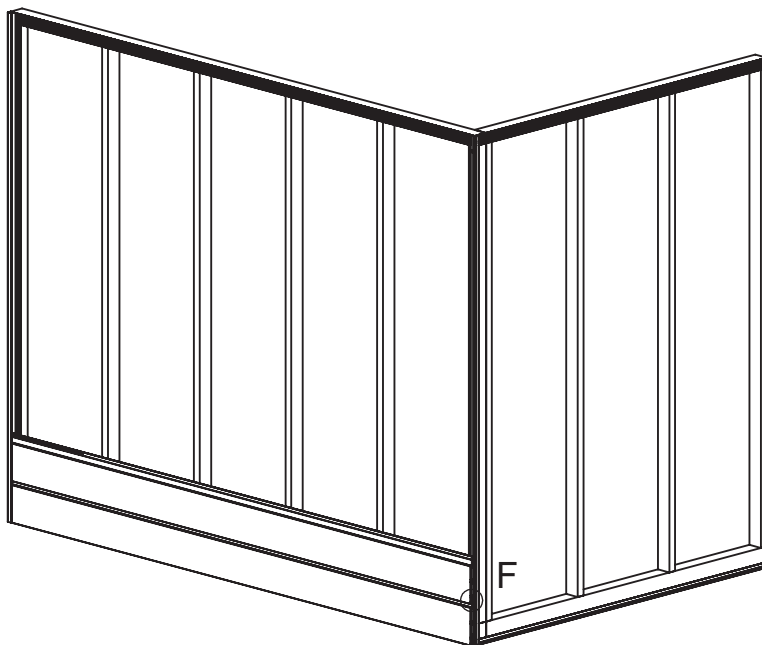
DC-CL11
DecoClad 200mm Shadowline Board



DC-CL07
Starter Strip

DETAIL OF INTERLOCK

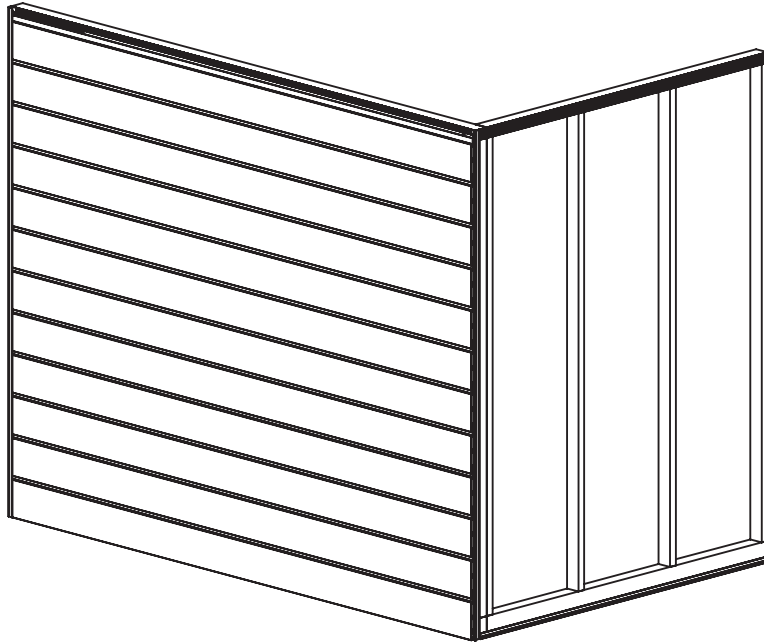
STEP 4: INSTALL NEXT BOARD USING INTERLOCK DETAIL TO LOCATE THE BOARD
NOTE MAKE SURE BOARD IS HARD DOWN TO BOARD BELOW



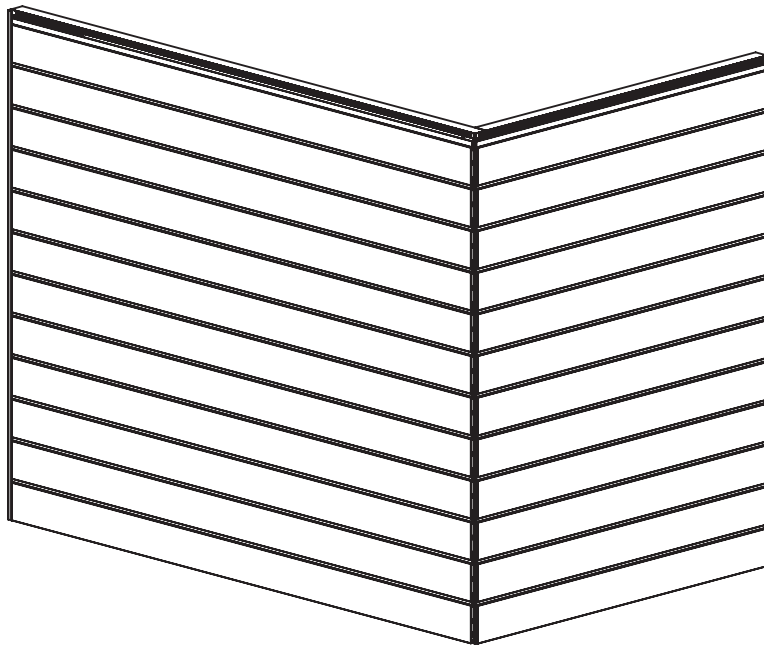
DETAIL F
SCALE 1 : 2

GENERAL NOTE: STUD FRAMING SHOWN IS ILLUSTRATIVE ONLY,
TIMBER OR STEEL FRAMES TO BE CONSTRUCTED TO BCA REQUIREMENTS

STEP 5: REPEAT STEP 4 UNTIL FINAL BOARD.
NOTE: FINAL BOARD MAY REQUIRE TRIMMING TO FIT



STEP 6: INSTALL ALL DECOCLAD BOARDS PRIOR TO COVER STRIP INSTALLATION

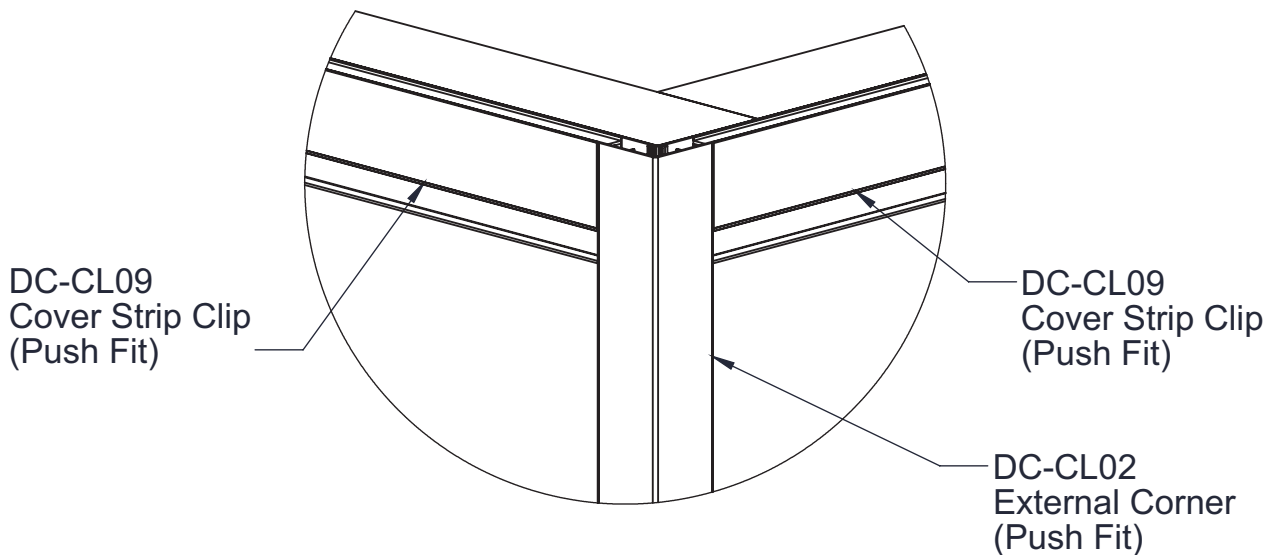
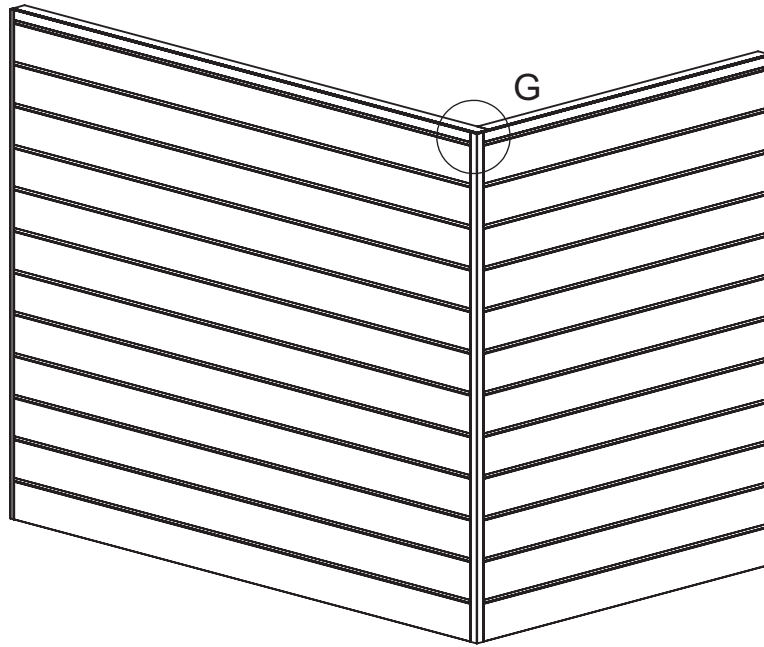


GENERAL NOTE: STUD FRAMING SHOWN IS ILLUSTRATIVE ONLY,
TIMBER OR STEEL FRAMES TO BE CONSTRUCTED TO BCA REQUIREMENTS

STEP 7: INSTALL FINISHING COVERSTRIPS (PUSH FIT ONLY)

A: VERTICAL COVERSTRIPS FIRST

B: HORIZONTAL COVERSTRIPS INBETWEEN VERTICAL COVERSTRIPS



DETAIL G
SCALE 1 : 4

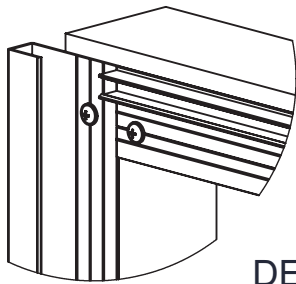
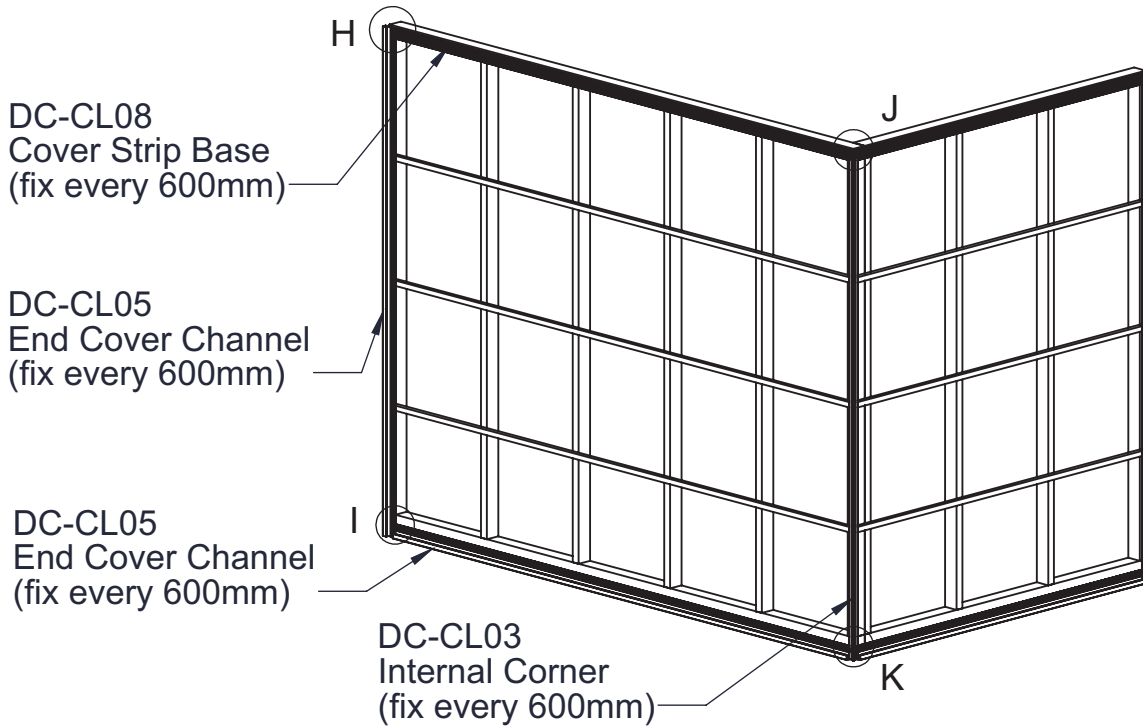
GENERAL NOTE: STUD FRAMING SHOWN IS ILLUSTRATIVE ONLY,
TIMBER OR STEEL FRAMES TO BE CONSTRUCTED TO BCA REQUIREMENTS

STEP 1: COVER FRAMING WITH SARKING / BUILDING WRAP (not shown)

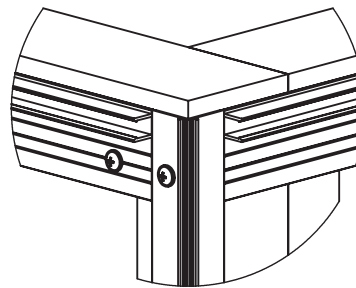
STEP 2: COVER STRIP SET-UP

A: INSTALL VERTICAL STRIPS FIRST

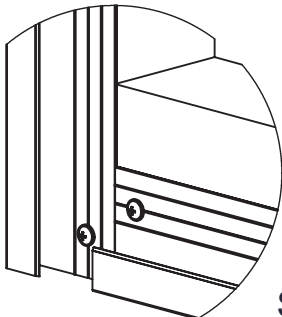
B: CUT HORIZONTALS TO FIT BETWEEN VERTICALS



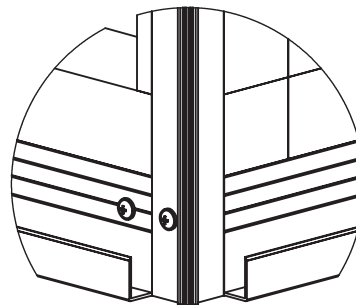
DETAIL H
SCALE 1 : 4



DETAIL J
SCALE 1 : 4



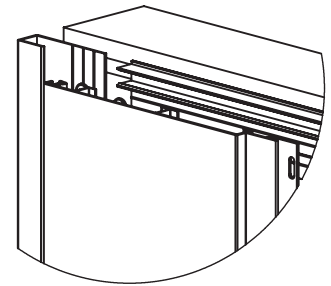
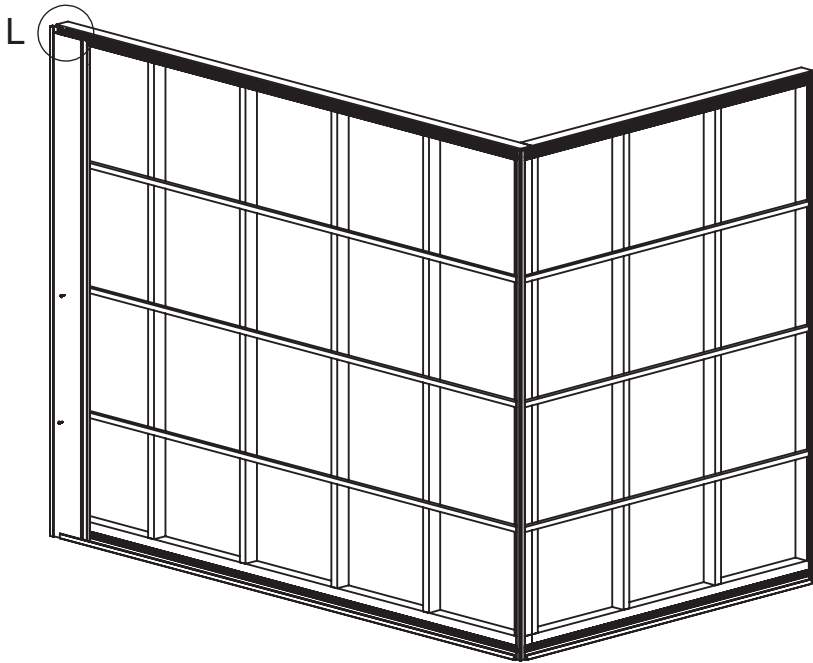
DETAIL I
SCALE 1 : 4



DETAIL K
SCALE 1 : 4

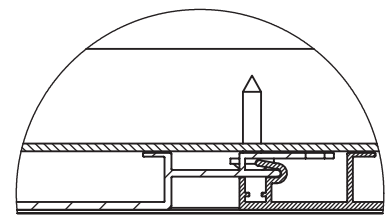
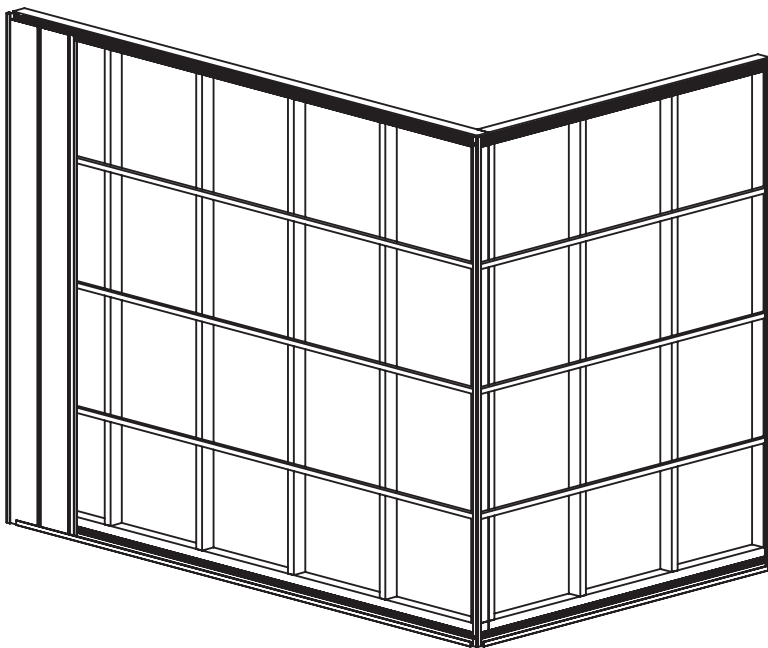
GENERAL NOTE: STUD FRAMING SHOWN IS ILLUSTRATIVE ONLY,
TIMBER OR STEEL FRAMES TO BE CONSTRUCTED TO BCA REQUIREMENTS

STEP 3: INSTALL FIRST BOARD WITH DRILL OR SCREW GUN
NOTE: USE 8G WAFER HEAD GALVANISED SCREW (DC-CL12)



DETAIL L
SCALE 1 : 5

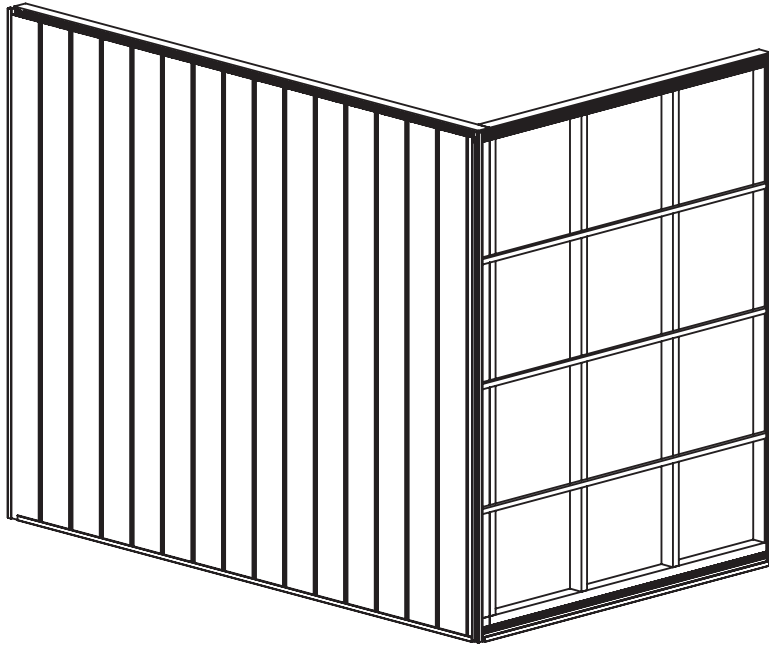
STEP 4: INSTALL NEXT BOARD USING INTERLOCK DETAIL TO LOCATE THE BOARD
NOTE: MAKE SURE BOARD IS FULLY MATED TO THE BOARD BESIDE



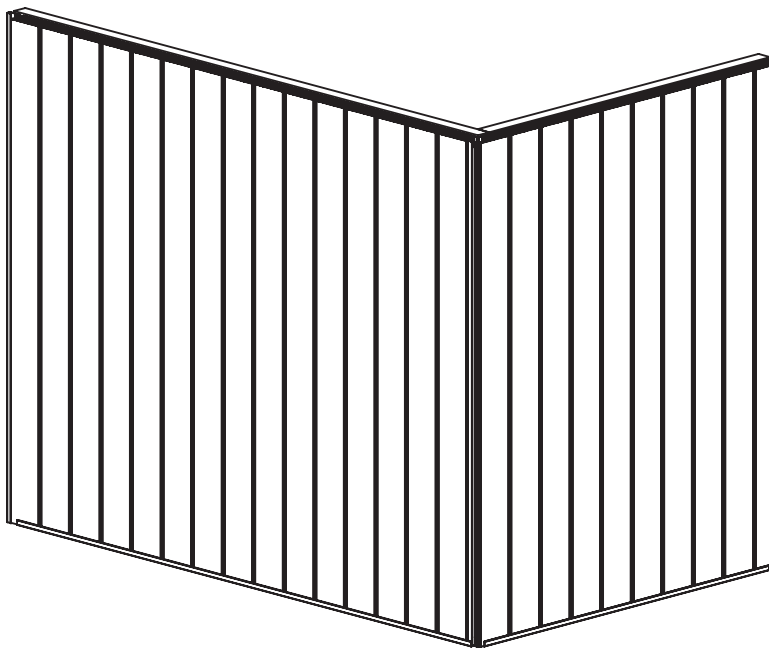
DETAIL OF INTERLOCK

GENERAL NOTE: STUD FRAMING SHOWN IS ILLUSTRATIVE ONLY,
TIMBER OR STEEL FRAMES TO BE CONSTRUCTED TO BCA REQUIREMENTS

STEP 5: REPEAT STEP 4 UNTIL FINAL BOARD.
NOTE: FINAL BOARD MAY REQUIRE TRIMMING TO FIT



STEP 6: INSTALL ALL DECOCLAD BOARDS PRIOR TO COVER STRIP INSTALLATION

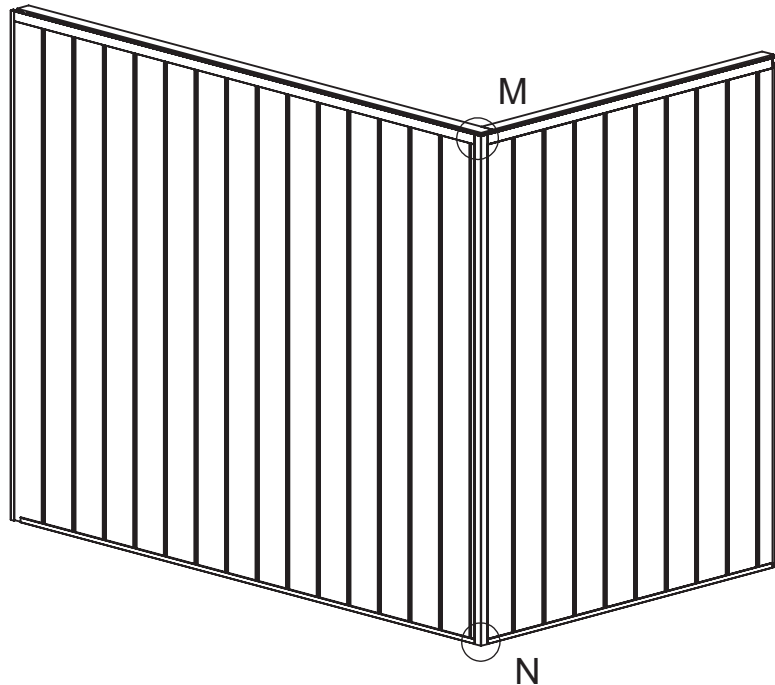


GENERAL NOTE: STUD FRAMING SHOWN IS ILLUSTRATIVE ONLY,
TIMBER OR STEEL FRAMES TO BE CONSTRUCTED TO BCA REQUIREMENTS

STEP 7: INSTALL FINISHING COVER STRIPS (PUSH FIT ONLY)

A: VERTICAL COVERSTRIPS FIRST

B: HORIZONTAL COVERSTRIPS INBETWEEN VERTICAL COVERSTRIPS

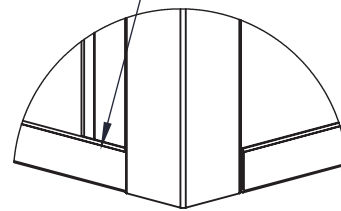
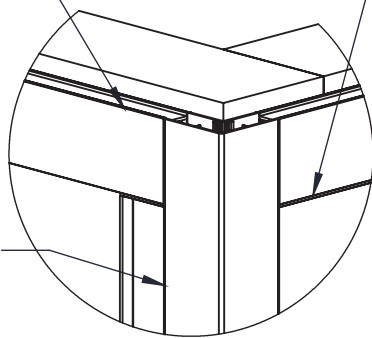


DC-CL09
Cover Strip Clip

DC-CL09
Cover Strip Clip

DC-CL05
End Cover Channel

DC-CL02
External Corner



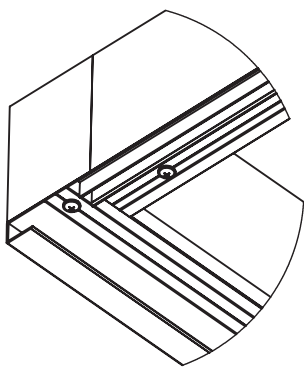
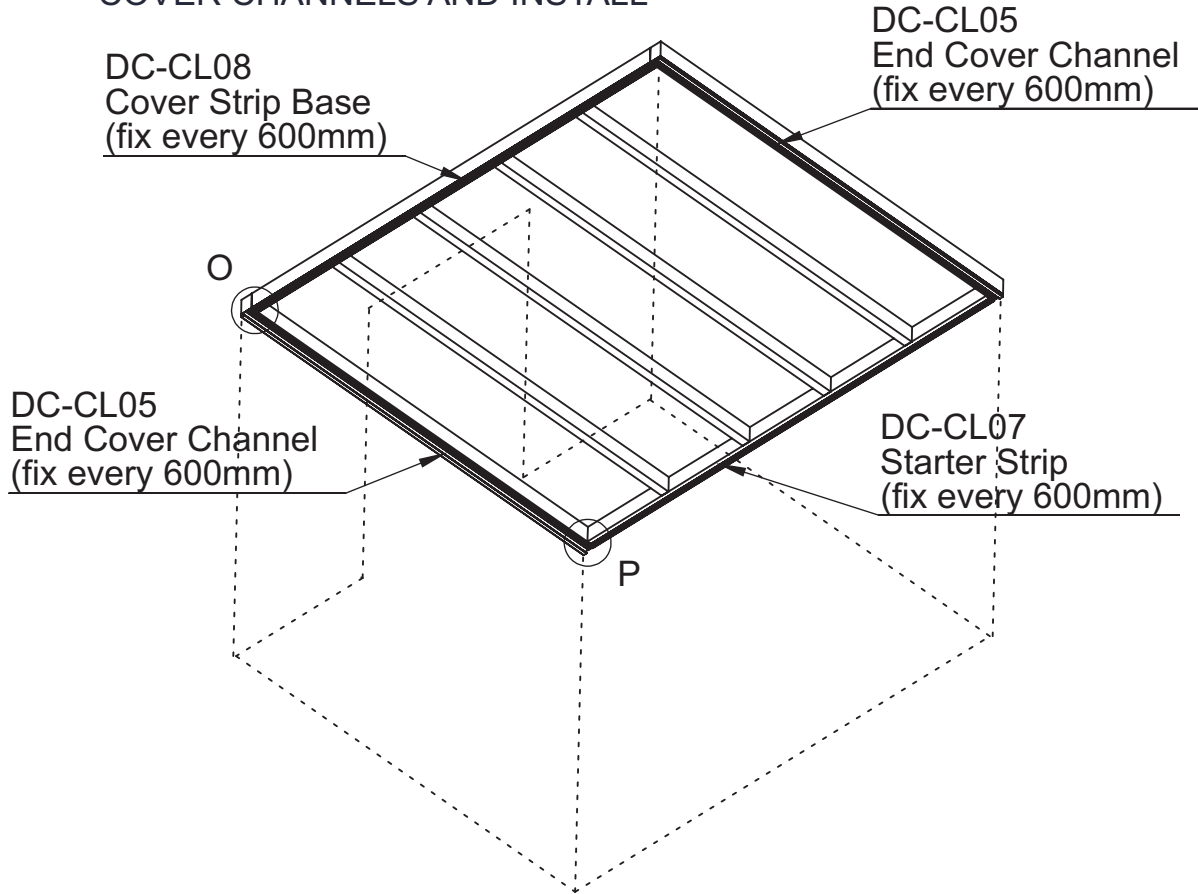
DETAIL M
SCALE 1 : 4

DETAIL N
SCALE 1 : 4

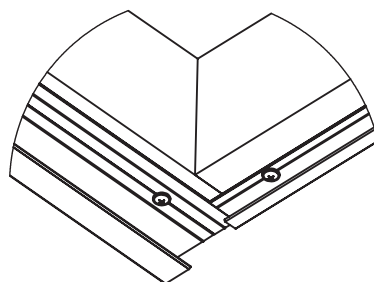
GENERAL NOTE: STUD FRAMING SHOWN IS ILLUSTRATIVE ONLY,
TIMBER OR STEEL FRAMES TO BE CONSTRUCTED TO BCA REQUIREMENTS

STEP 1: COVER STRIP SET UP

- A: INSTALL END COVER CHANNELS FIRST (PERPENDICULAR TO CLADDING)
- B: CUT COVER STRIP BASE AND STARTER STRIP TO FIT BETWEEN THE END COVER CHANNELS AND INSTALL



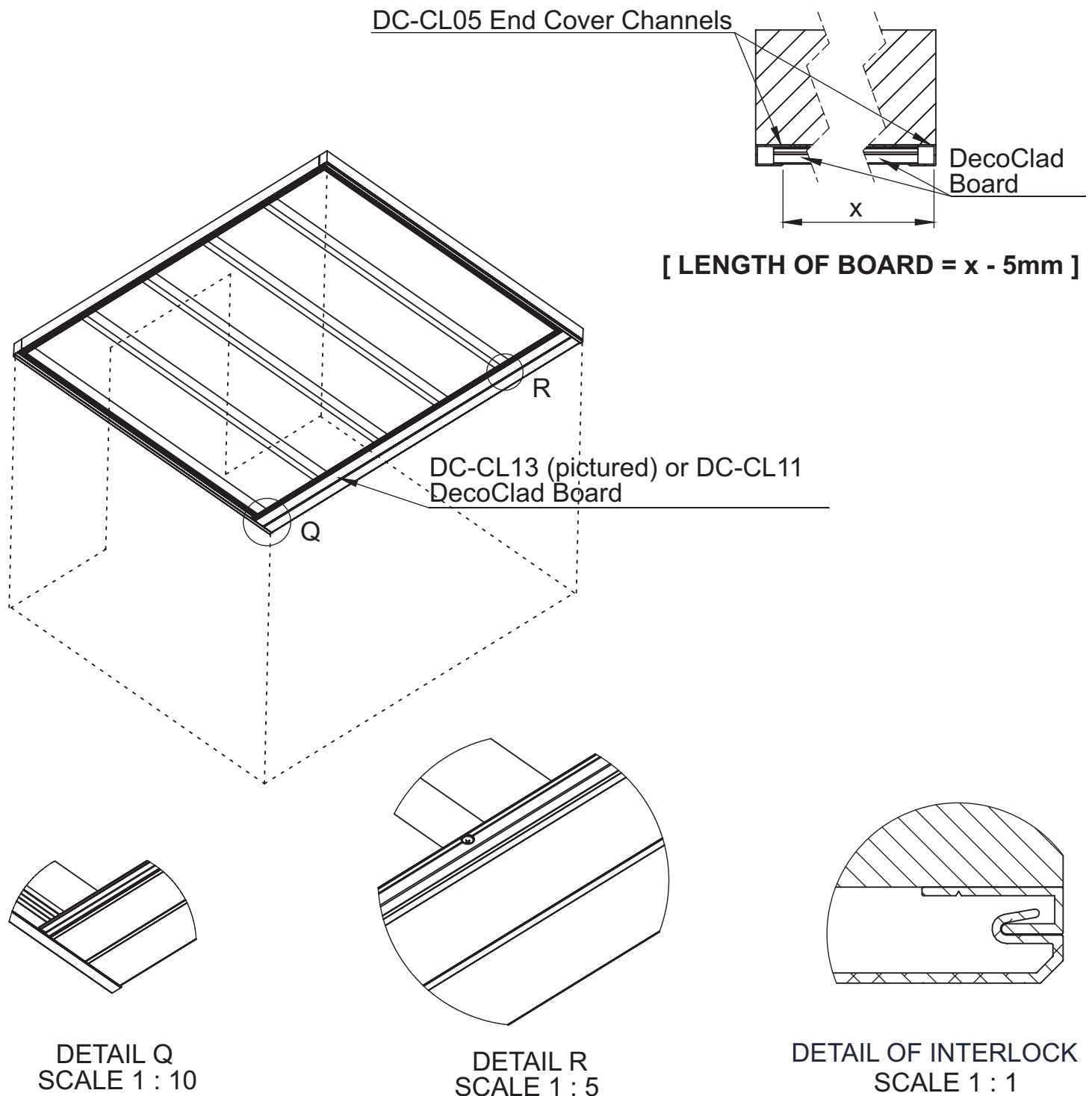
DETAIL O
SCALE 1 : 5



DETAIL P
SCALE 1 : 5

GENERAL NOTE: STUD FRAMING SHOWN IS ILLUSTRATIVE ONLY,
TIMBER OR STEEL FRAMES TO BE CONSTRUCTED TO BCA REQUIREMENTS

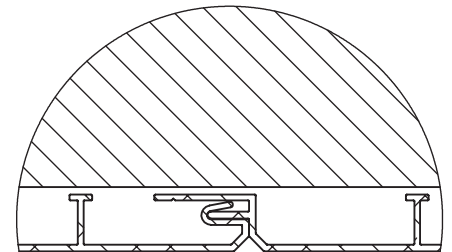
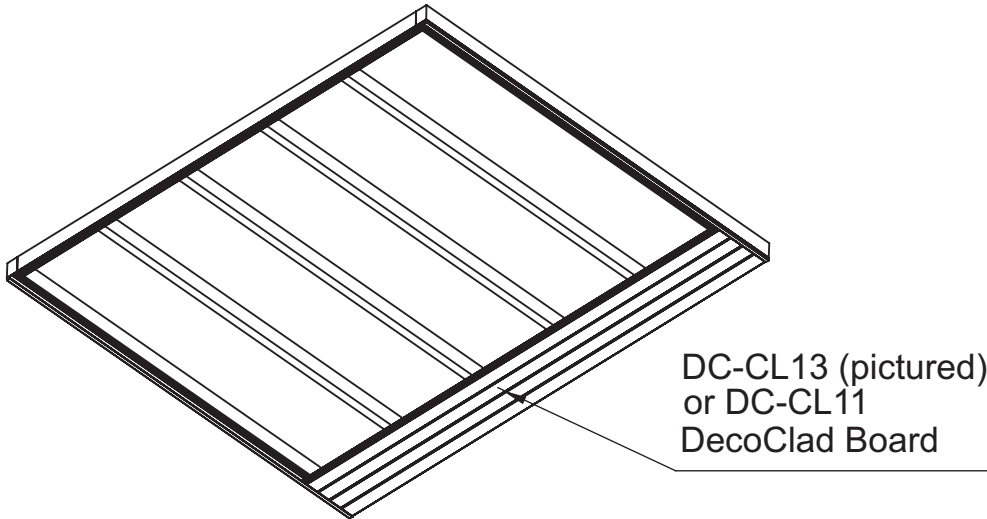
STEP 2: INSTALL FIRST DECOCLAD BOARD BETWEEN END COVER CHANNELS.
FIX WITH DRILL OR SCREW GUN. NOTE: USE 8G WAFER HEAD GALVANISED SCREW.



GENERAL NOTE: STUD FRAMING SHOWN IS ILLUSTRATIVE ONLY,
TIMBER OR STEEL FRAMES TO BE CONSTRUCTED TO BCA REQUIREMENTS

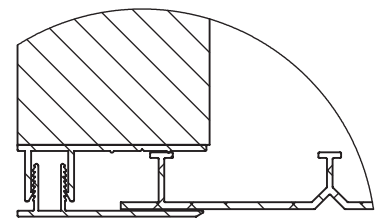
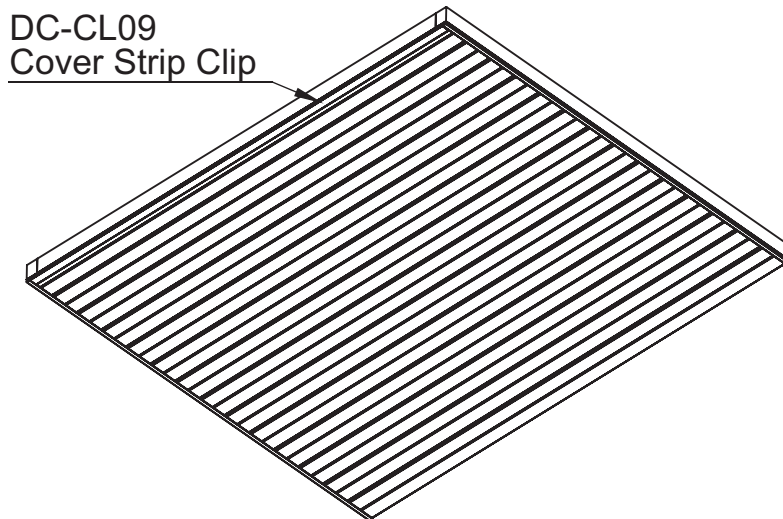
STEP 3: INSTALL NEXT DECOCLAD BOARD USING INTERLOCKING DETAIL TO LOCATE THE BOARD. NOTE: MAKE SURE THE BOARD IS HARD ONTO THE FIRST BOARD.

CONTINUE WITH ALL BOARDS. THE LAST BOARD MAY NEED TO BE TRIMMED (SEE 'DETAIL OF LAST BOARD AND COVER STRIP CLIP' IN STEP 5)



DETAIL OF INTERLOCK
SCALE 1 : 2

STEP 4: CUT COVER STRIP CLIP TO FIT BETWEEN THE END COVER CHANNELS. INSTALL BY PRESSING ONTO COVER STRIP BASE.



DETAIL OF LAST BOARD
AND COVER STRIP CLIP
SCALE 1 : 2

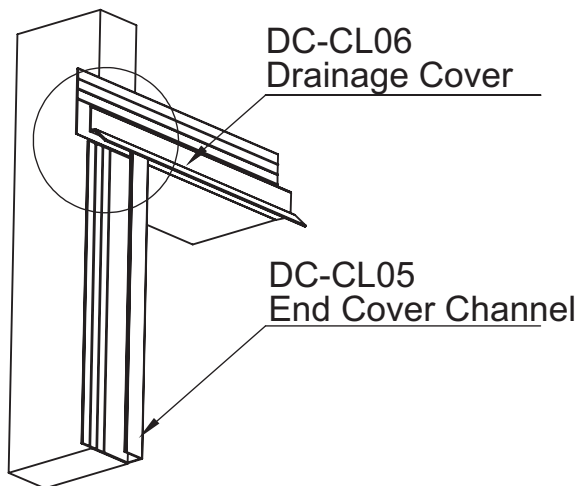
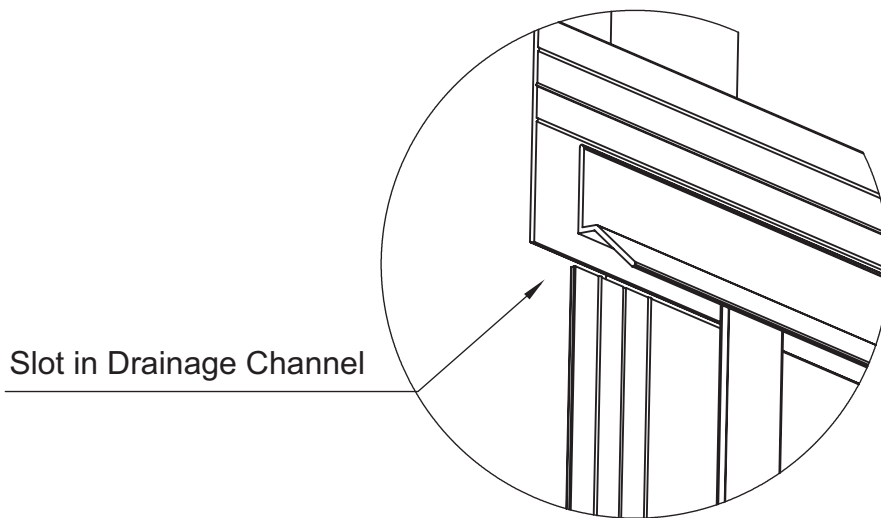
GENERAL NOTE: STUD FRAMING SHOWN IS ILLUSTRATIVE ONLY, TIMBER OR STEEL FRAMES TO BE CONSTRUCTED TO BCA REQUIREMENTS

WINDOW/DOOR HEAD AND JAMB OVERVIEW

DRAINAGE COVER SHOULD EXTEND BEYOND WINDOW OPENING BY 60MM.

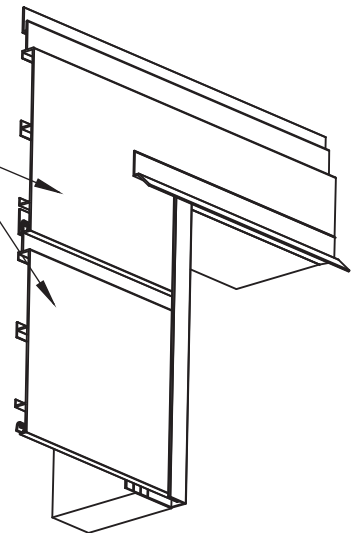
REMOVE/CUT A 60MM SLOT IN THE DRAINAGE CHANNEL ON BOTH ENDS (TO ACCOMMODATE DECOCLAD BOARD). SEE DETAIL S.

END CHANNEL COVER SHOULD BUTT UP TO DRAINAGE COVER.



VIEW OF HEAD AND JAMB BEFORE
DECOCLAD BOARDS INSTALLED

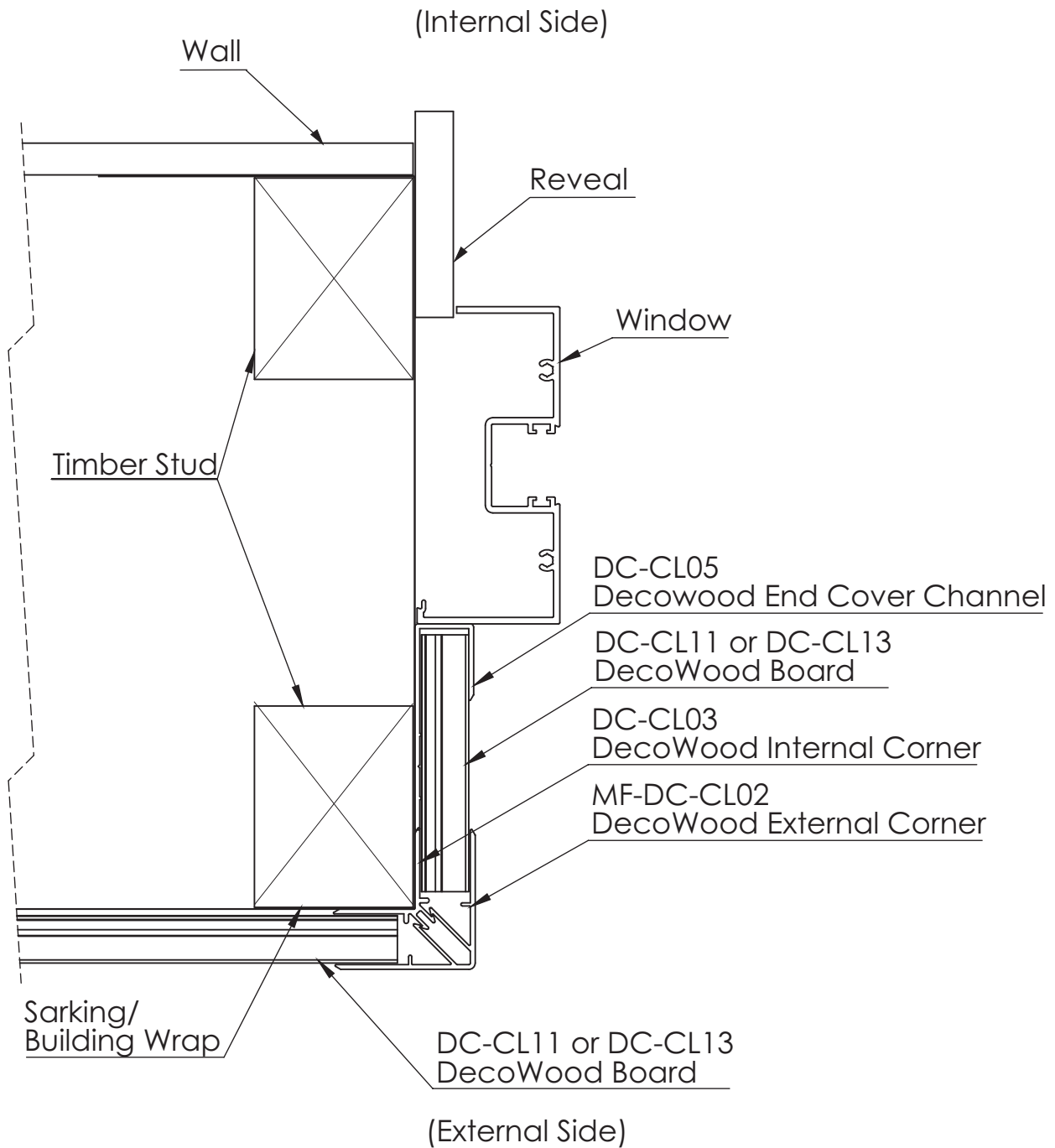
DC-CL11 (pictured)
or DC-CL13
DecoClad Board



VIEW OF HEAD AND JAMB WITH
DECOCLAD BOARDS INSTALLED

GENERAL NOTE: STUD FRAMING SHOWN IS ILLUSTRATIVE ONLY,
TIMBER OR STEEL FRAMES TO BE CONSTRUCTED TO BCA REQUIREMENTS

WINDOW JAMB - RETURN OPTION OVERVIEW

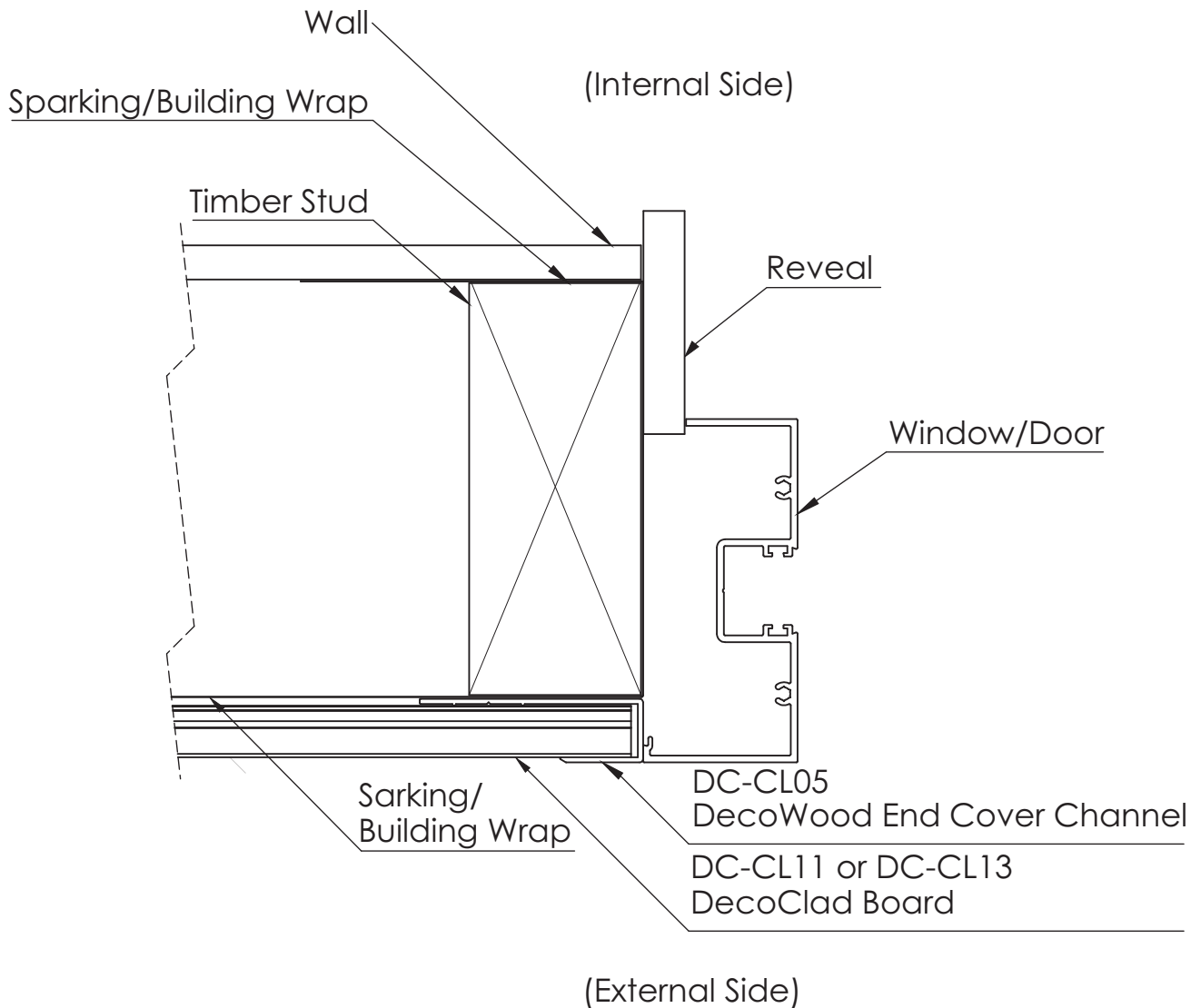


SECTION VIEW

NOTE: DETAILS SUCH AS FIXTURES AND SEALANT NOT SHOWN.

**GENERAL NOTE: STUD FRAMING SHOWN IS ILLUSTRATIVE ONLY,
TIMBER OR STEEL FRAMES TO BE CONSTRUCTED TO BCA REQUIREMENTS**

WINDOW JAMB - INLINE OPTION OVERVIEW

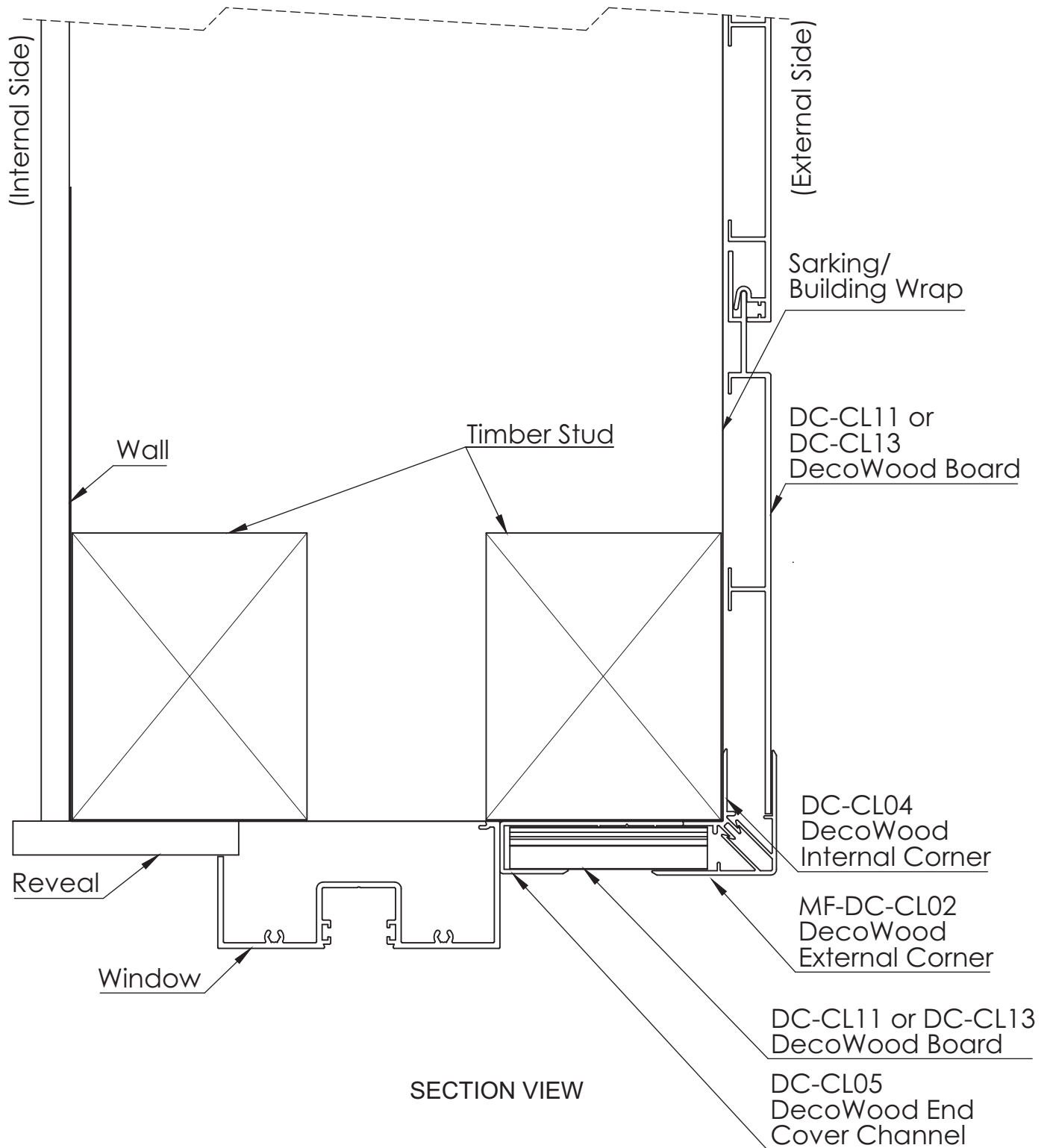


SECTION VIEW

NOTE: DETAILS SUCH AS FIXTURES AND SEALANT NOT SHOWN.

GENERAL NOTE: STUD FRAMING SHOWN IS ILLUSTRATIVE ONLY,
TIMBER OR STEEL FRAMES TO BE CONSTRUCTED TO BCA REQUIREMENTS

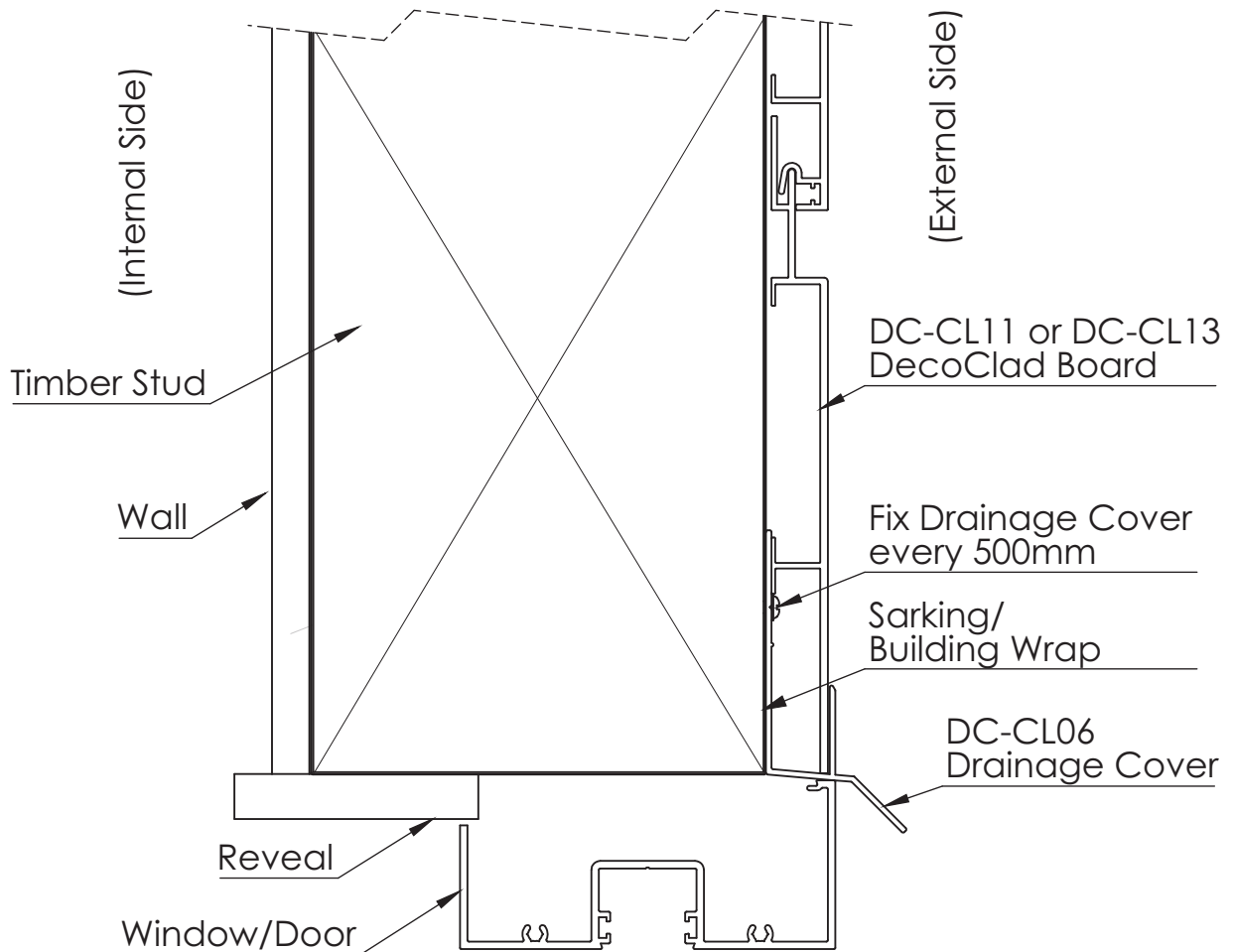
WINDOW HEAD - RETURN OPTION OVERVIEW



NOTE: DETAILS SUCH AS FIXTURES AND SEALANT NOT SHOWN.

GENERAL NOTE: STUD FRAMING SHOWN IS ILLUSTRATIVE ONLY,
TIMBER OR STEEL FRAMES TO BE CONSTRUCTED TO BCA REQUIREMENTS

WINDOW HEAD - INLINE OPTION OVERVIEW

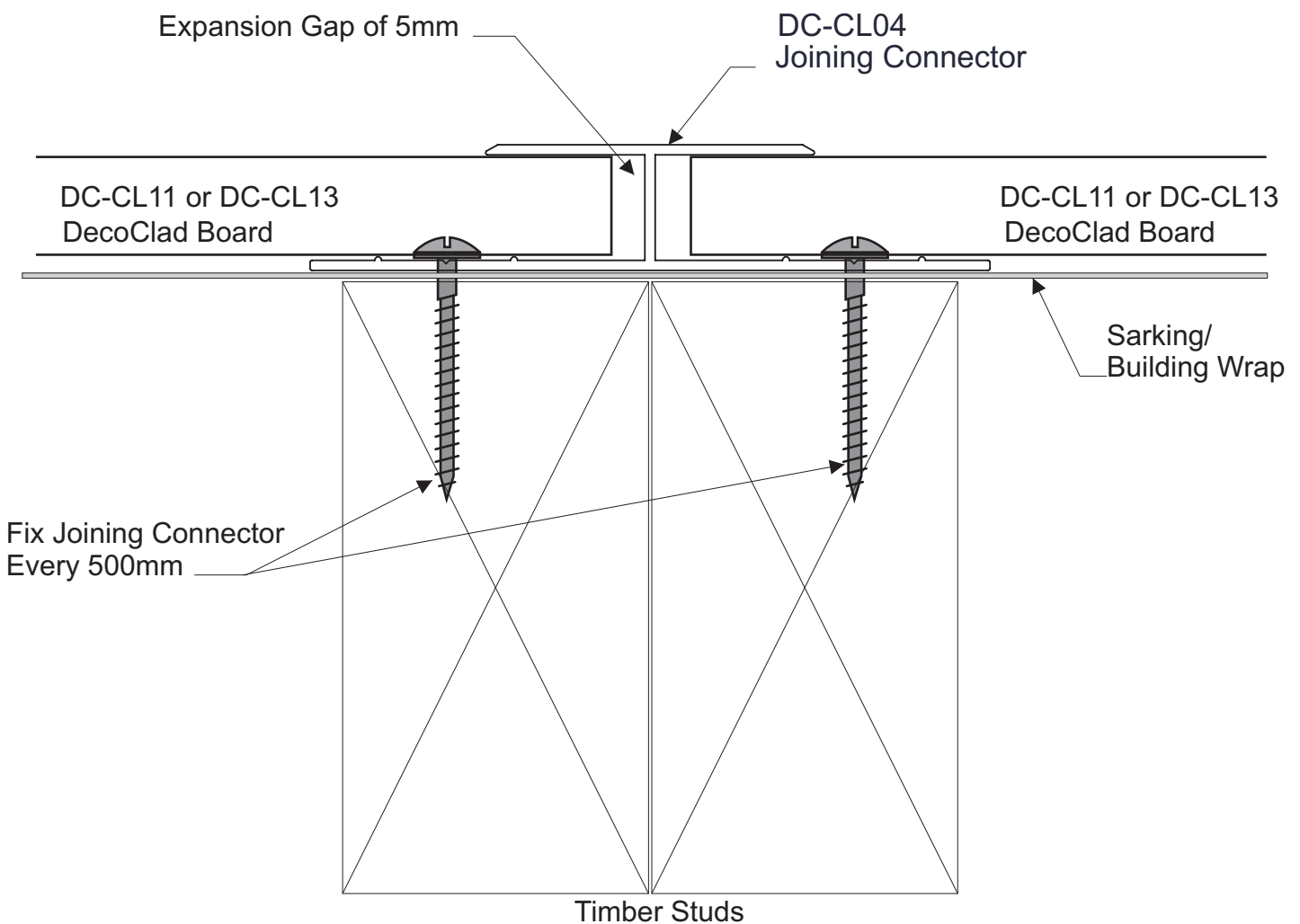


SECTION VIEW

NOTE: DETAILS SUCH AS FIXTURES AND SEALANT NOT SHOWN.

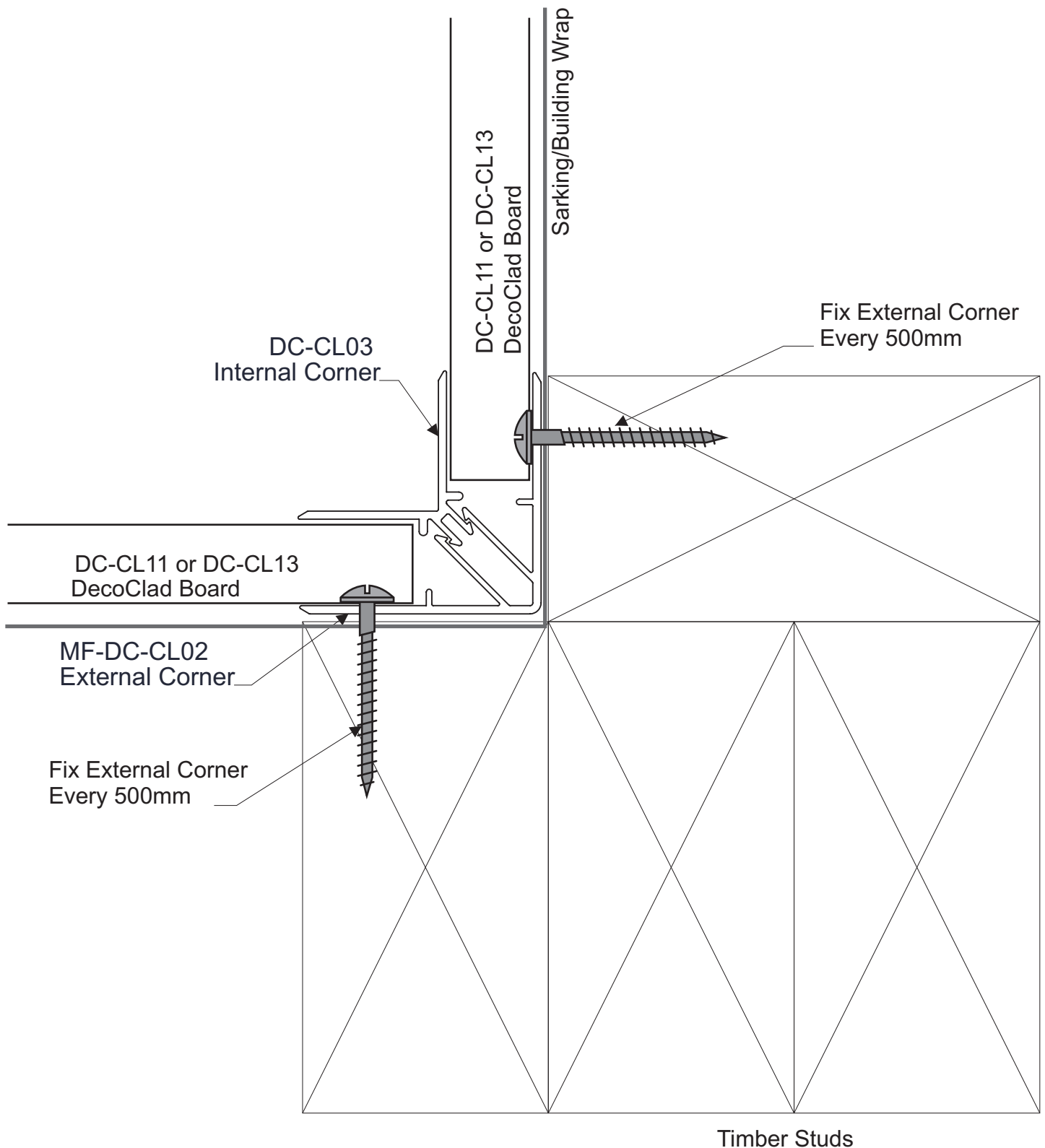
GENERAL NOTE: STUD FRAMING SHOWN IS ILLUSTRATIVE ONLY,
TIMBER OR STEEL FRAMES TO BE CONSTRUCTED TO BCA REQUIREMENTS

WALL JOINER - VERTICAL OVERVIEW



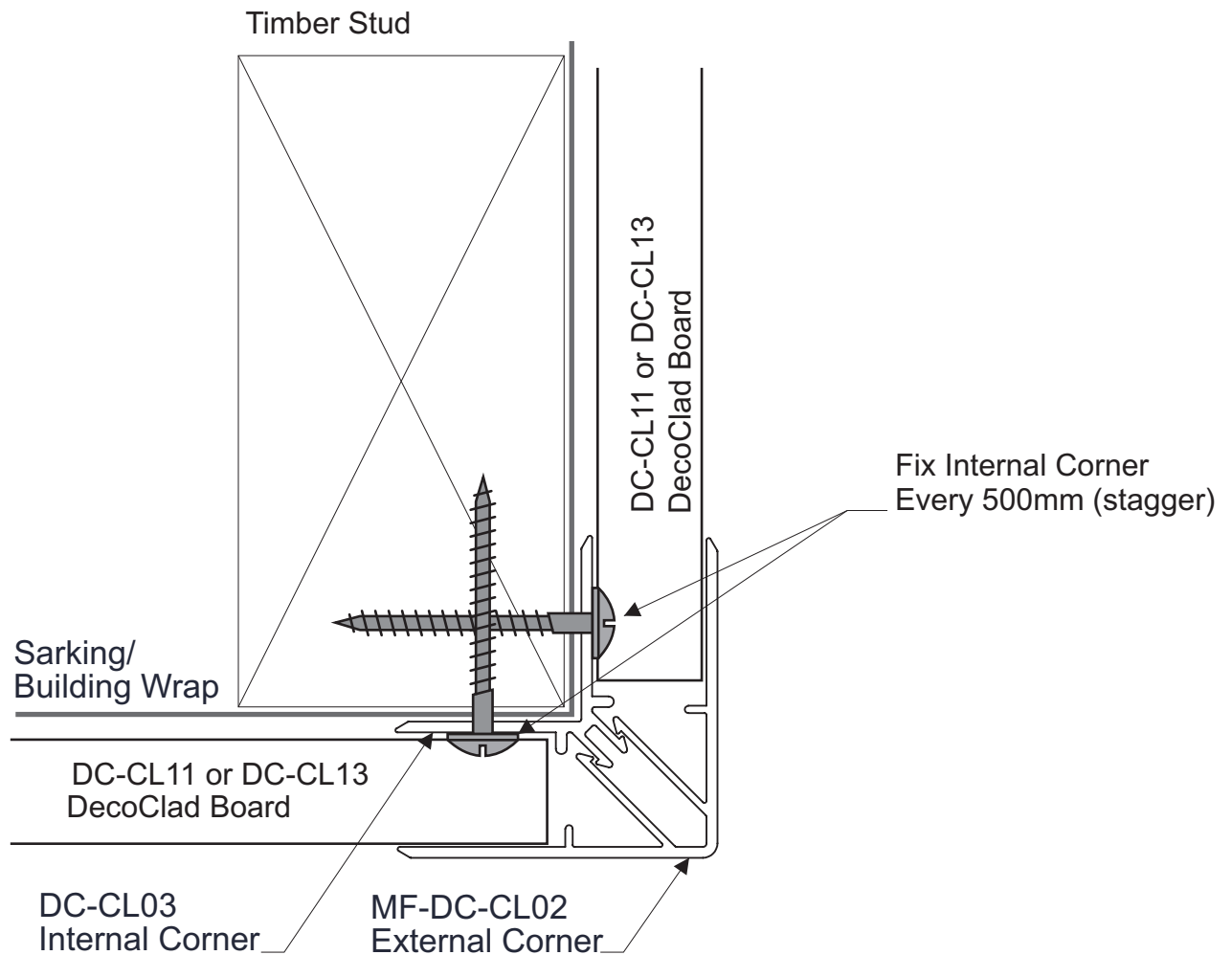
GENERAL NOTE: STUD FRAMING SHOWN IS ILLUSTRATIVE ONLY,
TIMBER OR STEEL FRAMES TO BE CONSTRUCTED TO BCA REQUIREMENTS

INTERNAL CORNER OVERVIEW



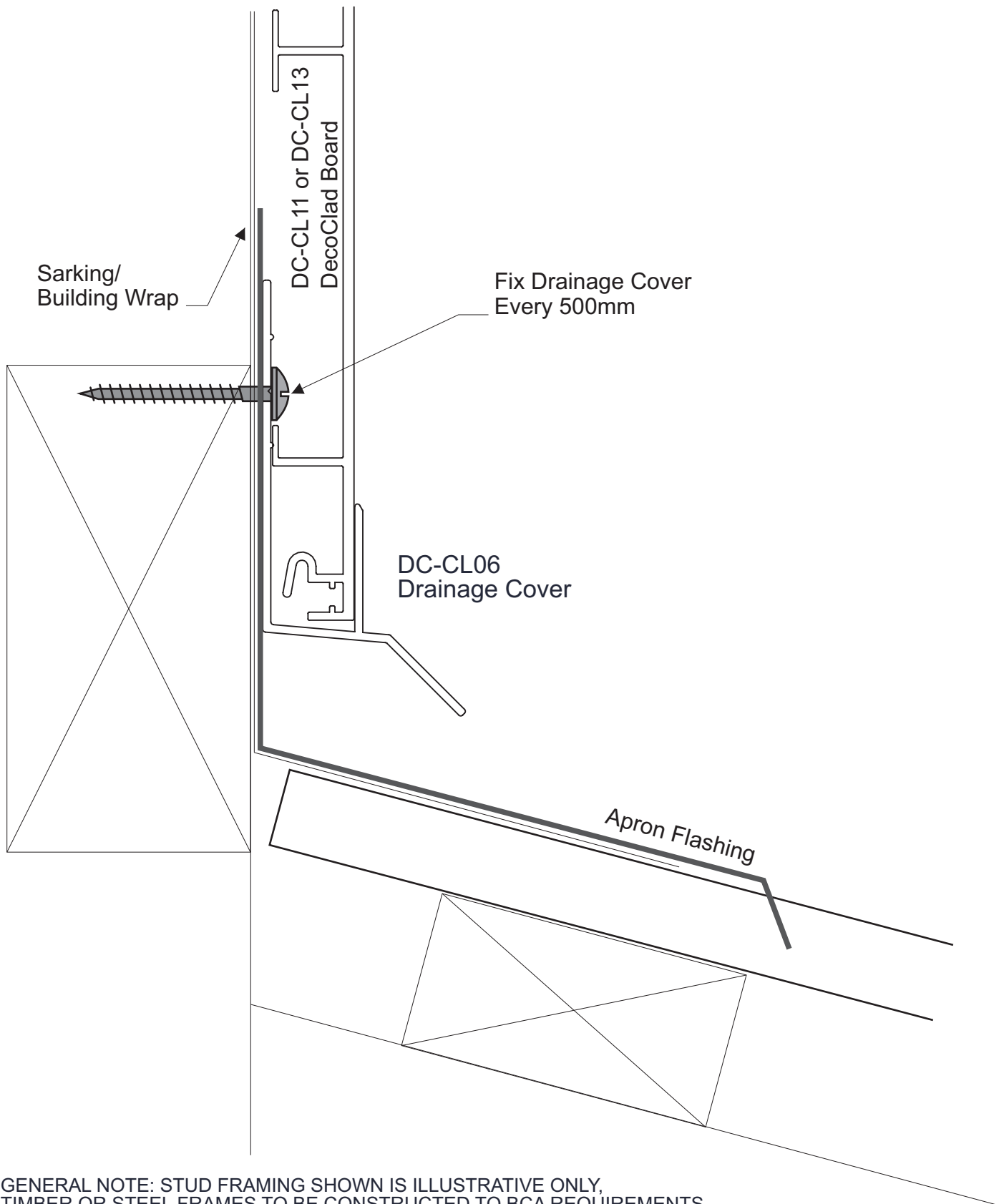
GENERAL NOTE: STUD FRAMING SHOWN IS ILLUSTRATIVE ONLY,
TIMBER OR STEEL FRAMES TO BE CONSTRUCTED TO BCA REQUIREMENTS

EXTERNAL CORNER OVERVIEW



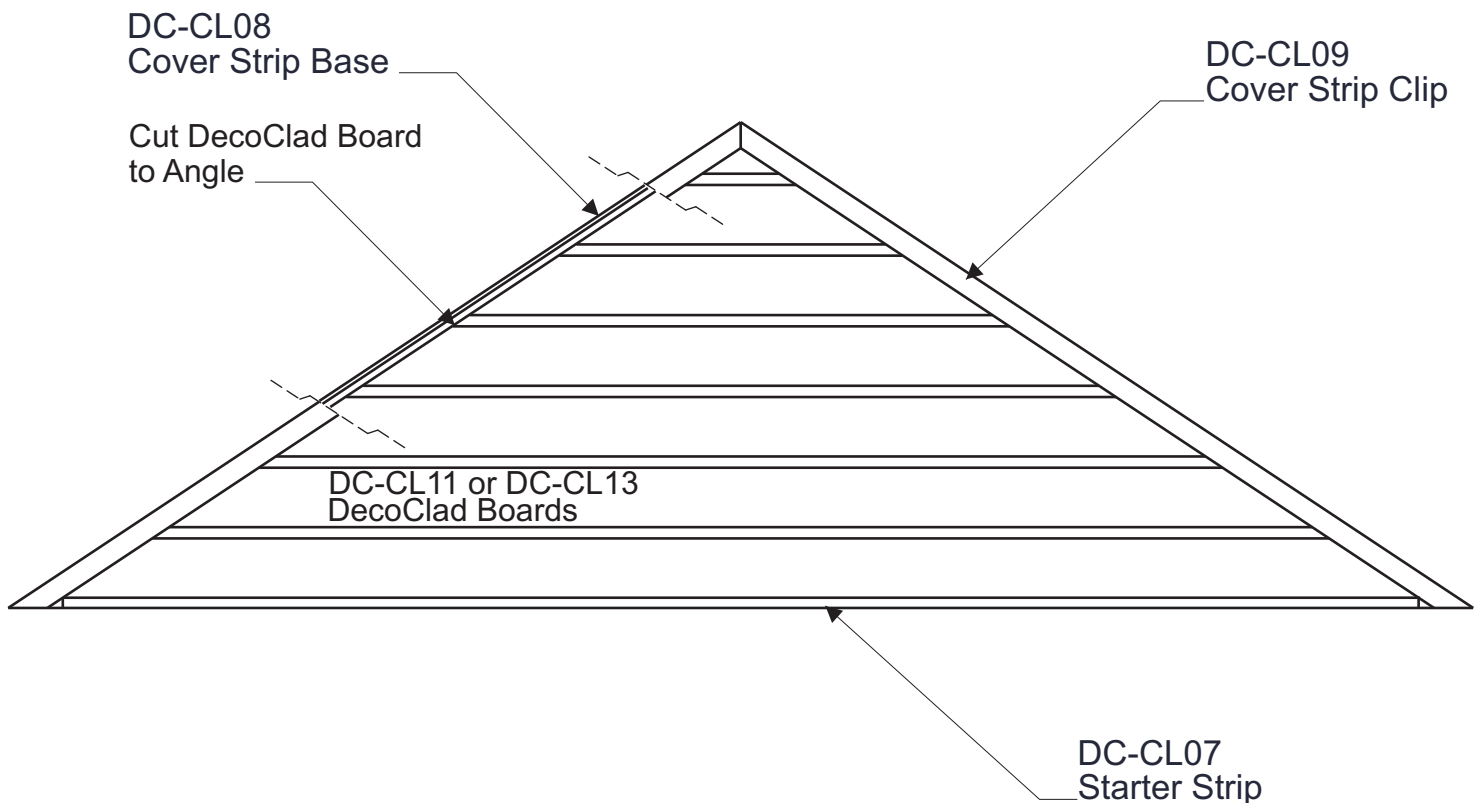
GENERAL NOTE: STUD FRAMING SHOWN IS ILLUSTRATIVE ONLY,
TIMBER OR STEEL FRAMES TO BE CONSTRUCTED TO BCA REQUIREMENTS

ROOF AND WALL JUNCTION OVERVIEW



GENERAL NOTE: STUD FRAMING SHOWN IS ILLUSTRATIVE ONLY,
TIMBER OR STEEL FRAMES TO BE CONSTRUCTED TO BCA REQUIREMENTS

GABLE END OVERVIEW



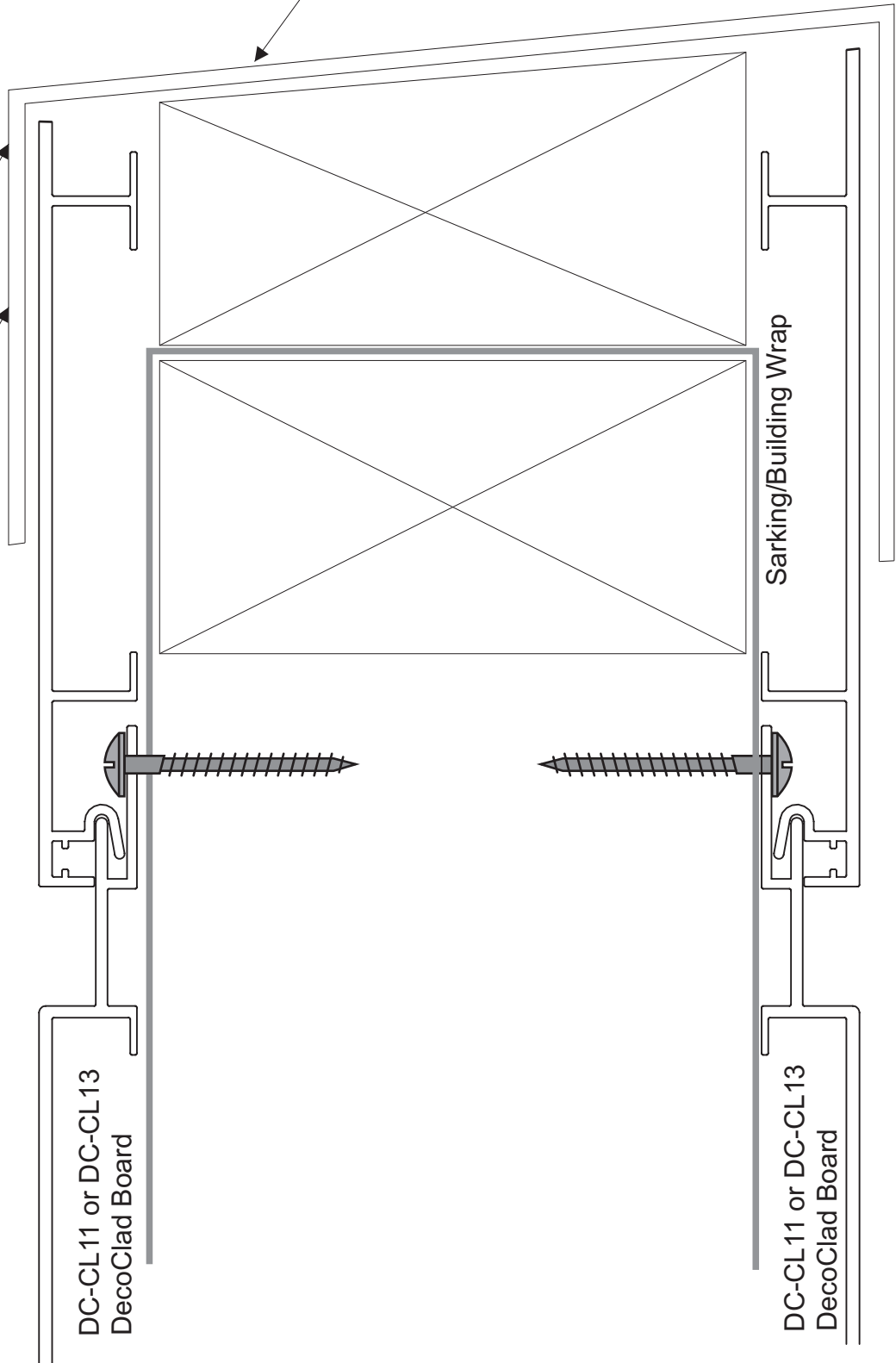
GENERAL NOTE: STUD FRAMING SHOWN IS ILLUSTRATIVE ONLY,
TIMBER OR STEEL FRAMES TO BE CONSTRUCTED TO BCA REQUIREMENTS

PARAPET FLASHING OVERVIEW

Fall in Flashing,
minimum of 10°

Custom Parapet
Flashing to suit

Flashing must
overlap cladding



GENERAL NOTE: STUD FRAMING SHOWN IS ILLUSTRATIVE ONLY,
TIMBER OR STEEL FRAMES TO BE CONSTRUCTED TO BCA REQUIREMENTS